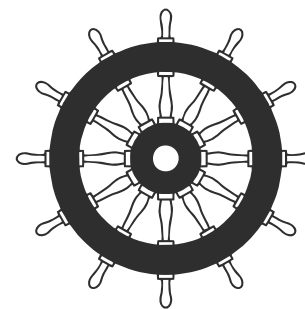
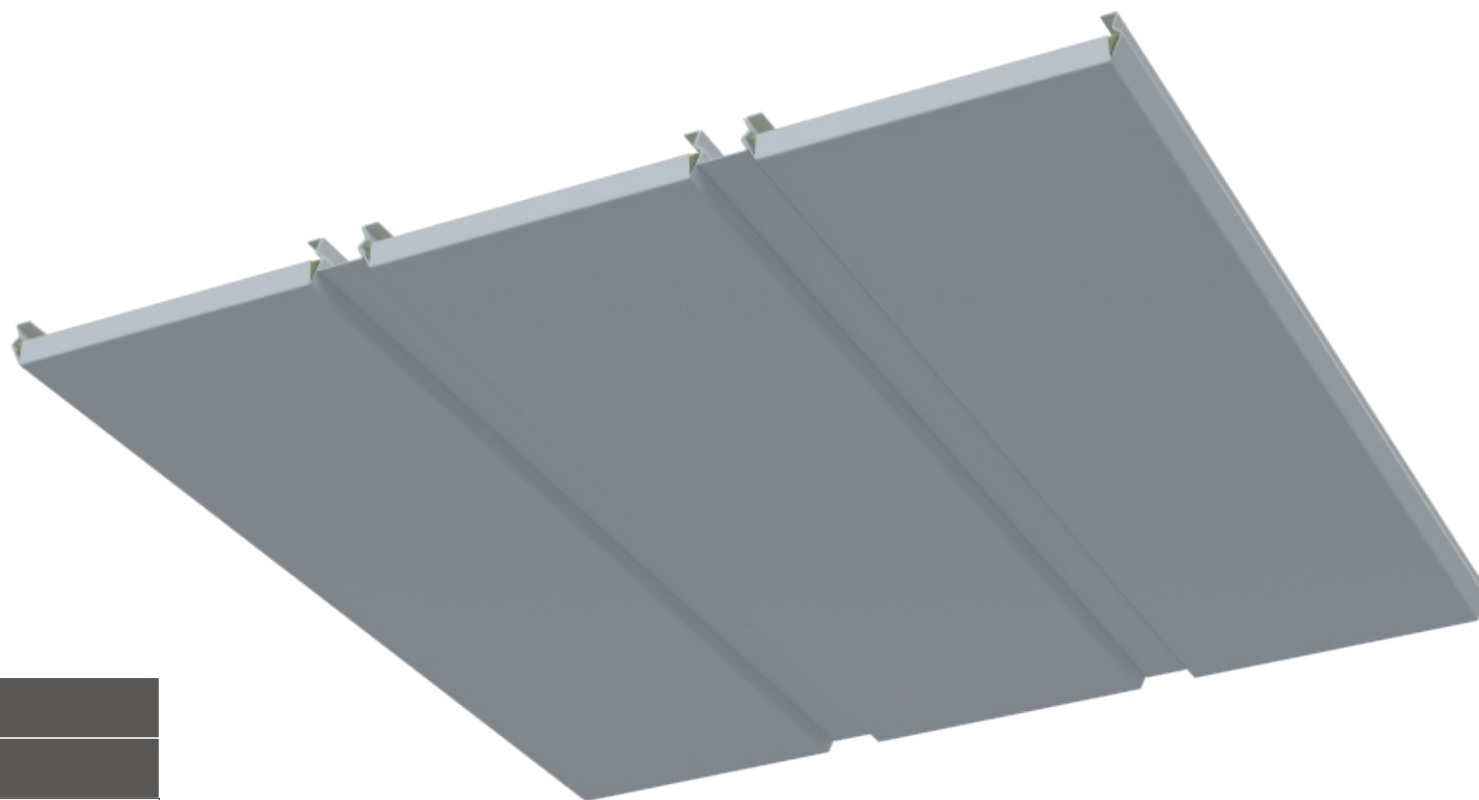


MARINE INTERIOR EQUIPMENT

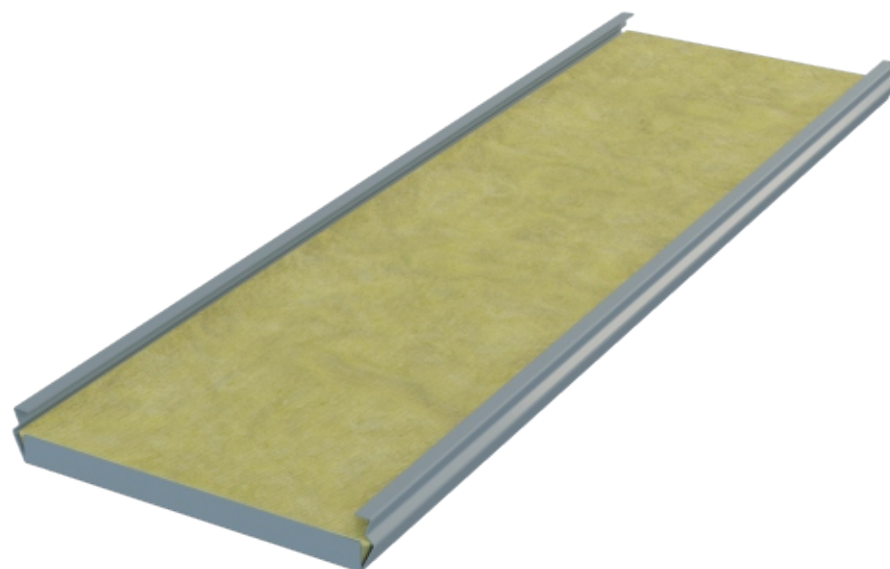
CEILING



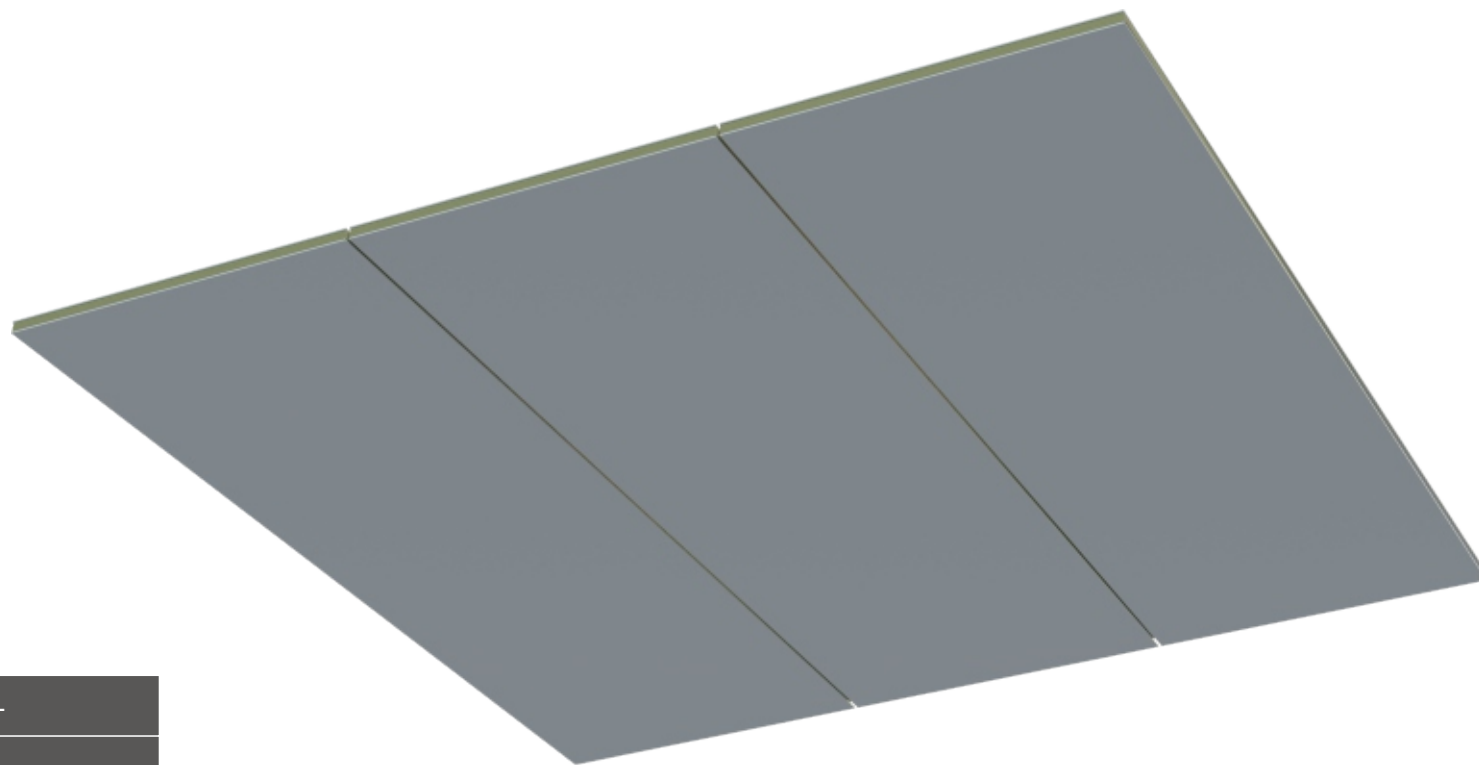
SEC 
SYSTEMS



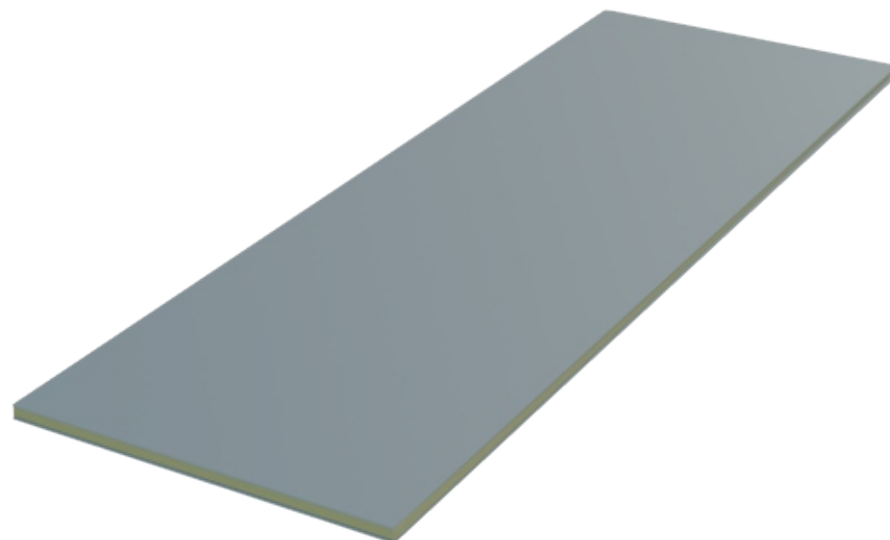
STRIP PANEL	
MODEL	B13-302
DESCRIPTION	
Type	
Fire class	C
Standard width	300 mm
Module length	up to 3000 mm
Thickness	29,50 mm
Weight	7,69 kg/m ²
Sound reduction	n/a
Insulation	110 kg/m ³
Visible surface	PVC or powder coated*, stainless steel
Application	Ceiling Metal, quick assembly/disassembly



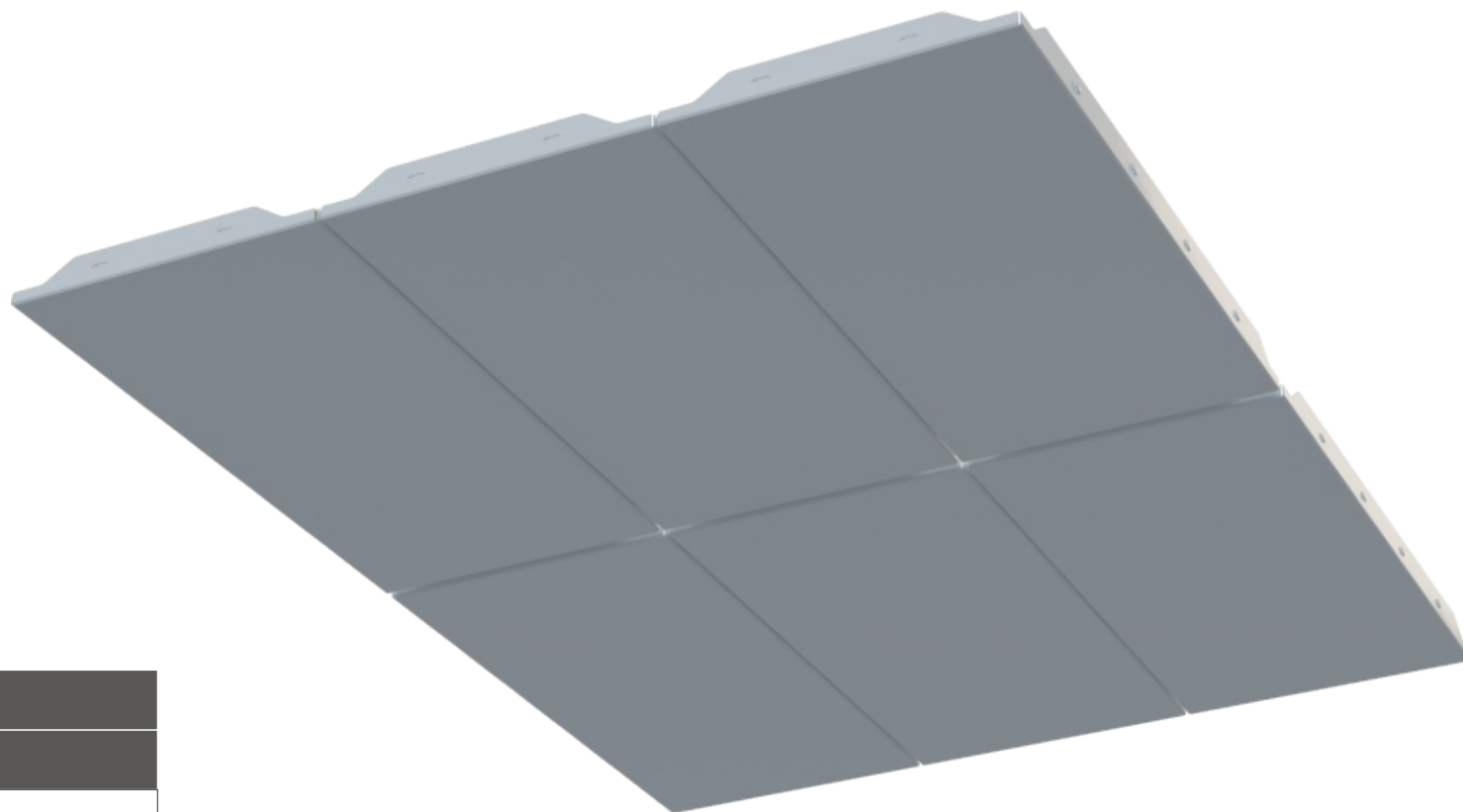
* According to RAL or NCS colors



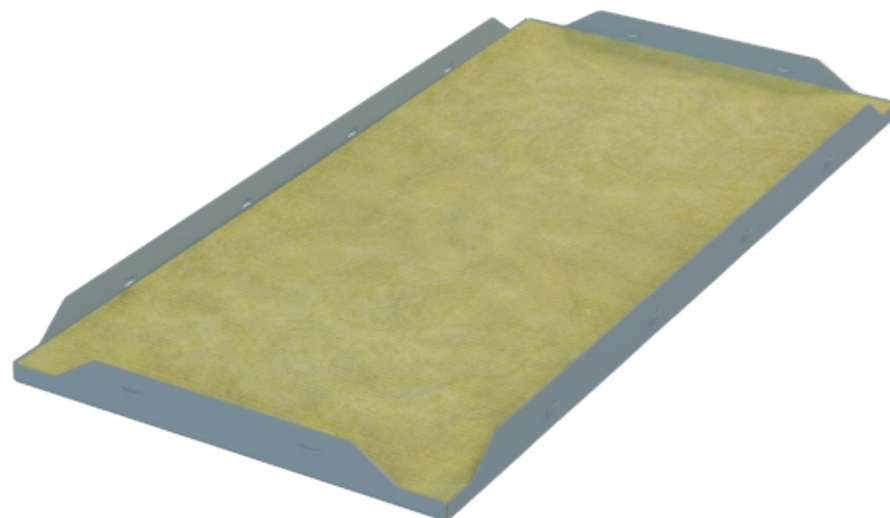
MINERAL PANEL	
MODEL	M12/C
DESCRIPTION	
Type	P121-611
Fire class	C
Standard width	600 mm
Module length	up to 1200 mm
Thickness	12 mm
Weight	8,5 kg/m ²
Sound reduction	n/a
Insulation	640 kg/m ³
Visible surface	HPL
Application	Ceiling Mineral core



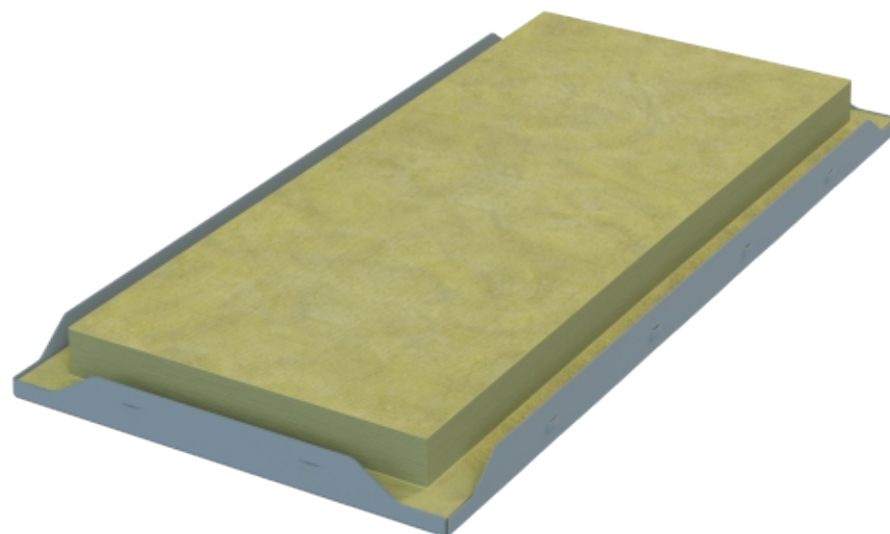
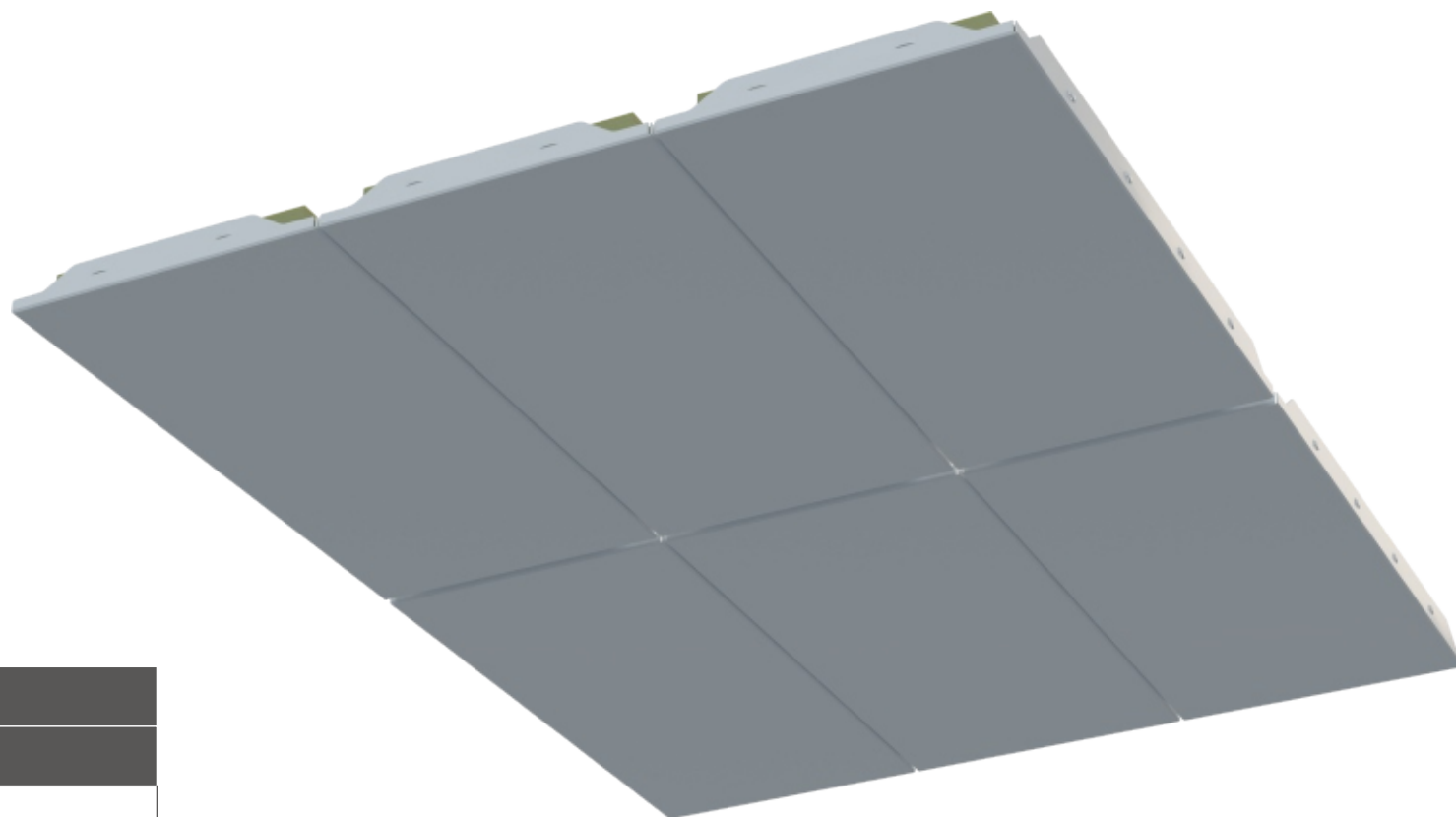
* According to RAL or NCS colors



TILE PANEL	
MODEL	B11-613
DESCRIPTION	
Type	
Fire class	C
Standard width	750 mm
Module length	up to 900 mm
Thickness	30 mm
Weight	5,66 kg/m ²
Sound reduction	n/a
Insulation	45 kg/m ³
Visible surface	PVC or powder coated*, stainless steel
Application	Ceiling Metal, quick assembly/disassembly

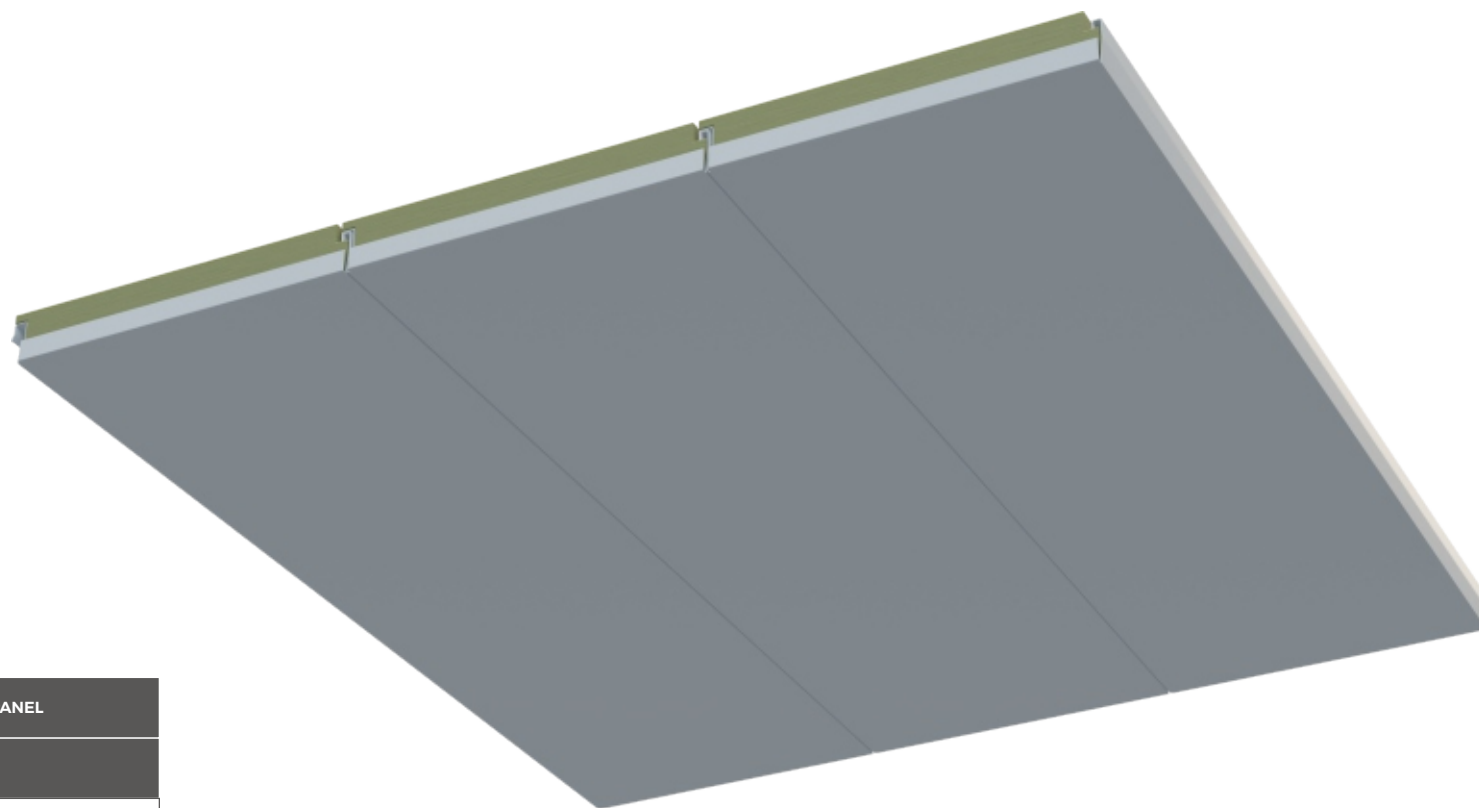


* According to RAL or NCS colors

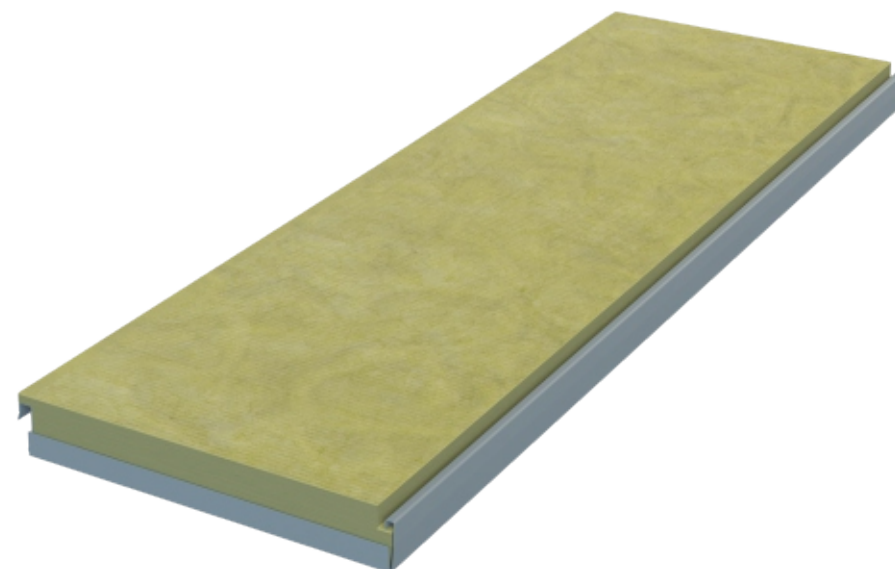


TILE PANEL	
MODEL	B11-614
DESCRIPTION	
Type	
Fire class	B15
Standard width	750 mm
Module length	up to 900 mm
Thickness	40 mm
Weight	5,96 kg/m ²
Sound reduction	n/a
Insulation	130 kg/m ³
Visible surface	PVC or powder coated*, stainless steel
Application	Ceiling Metal, quick assembly/disassembly

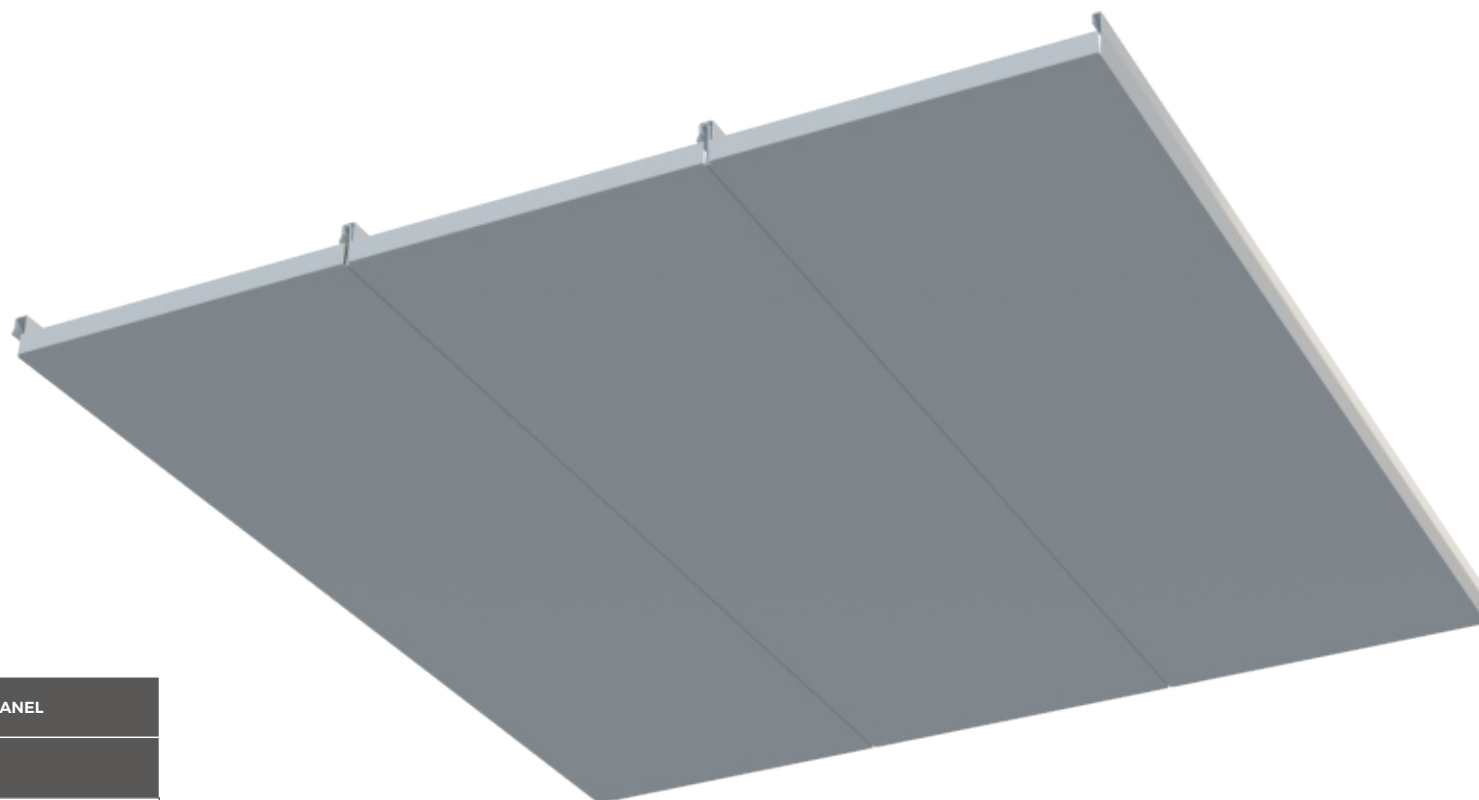
* According to RAL or NCS colors



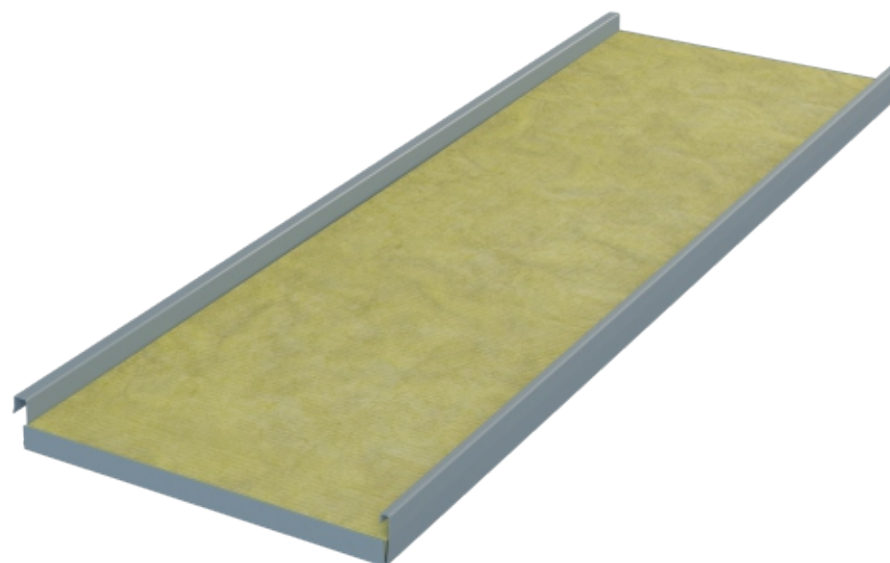
SELF-SUPPORTING PANEL	
MODEL	B13-500
DESCRIPTION	
Type	B13-501
Fire class	B15
Standard width	300 mm
Module length	up to 2700 mm
Thickness	50 mm
Weight	11,88 kg/m ²
Sound reduction	n/a
Insulation	140 kg/m ³
Visible surface	PVC or powder coated*, stainless steel
Application	Ceiling Metal, quick assembly/disassembly



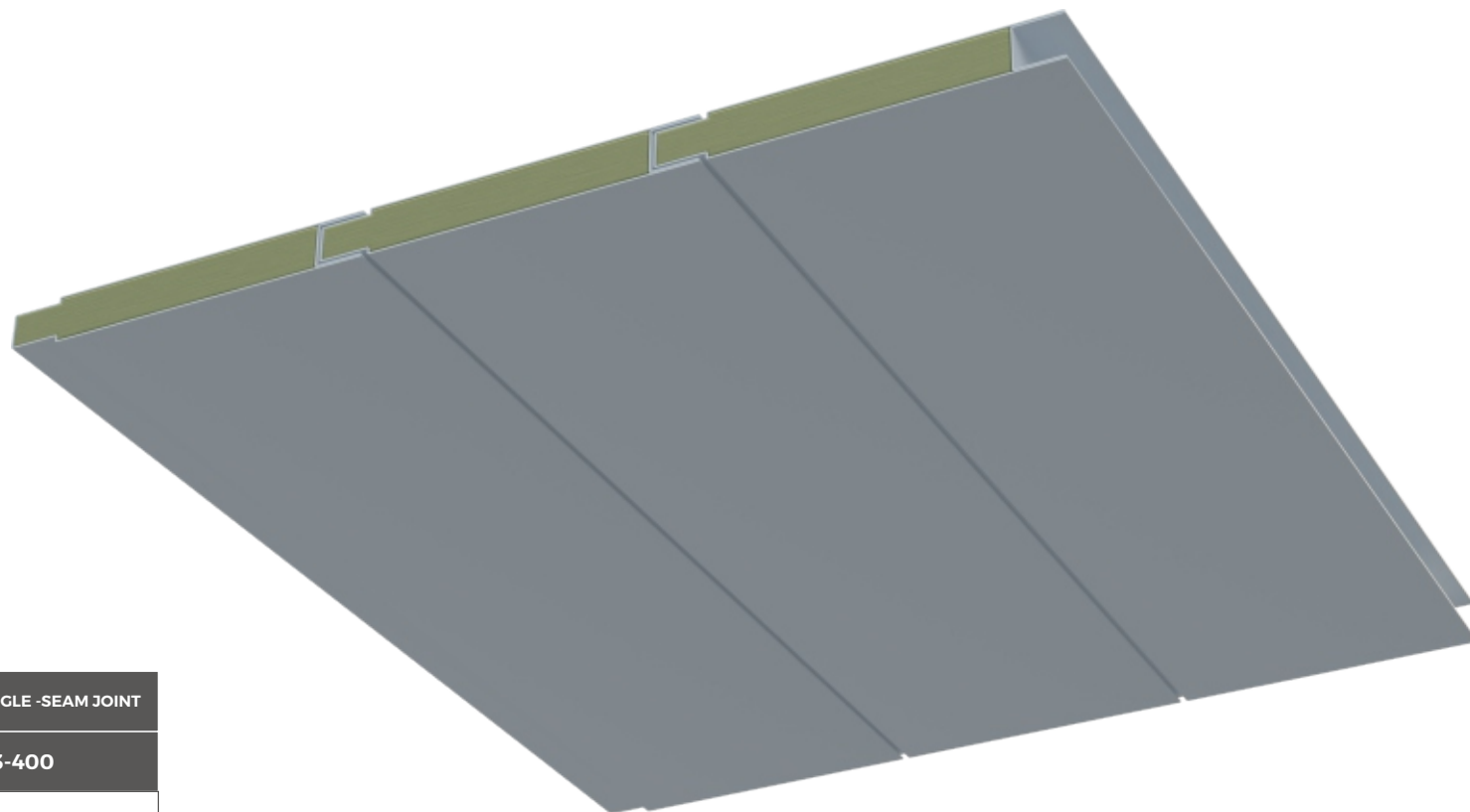
* According to RAL or NCS colors



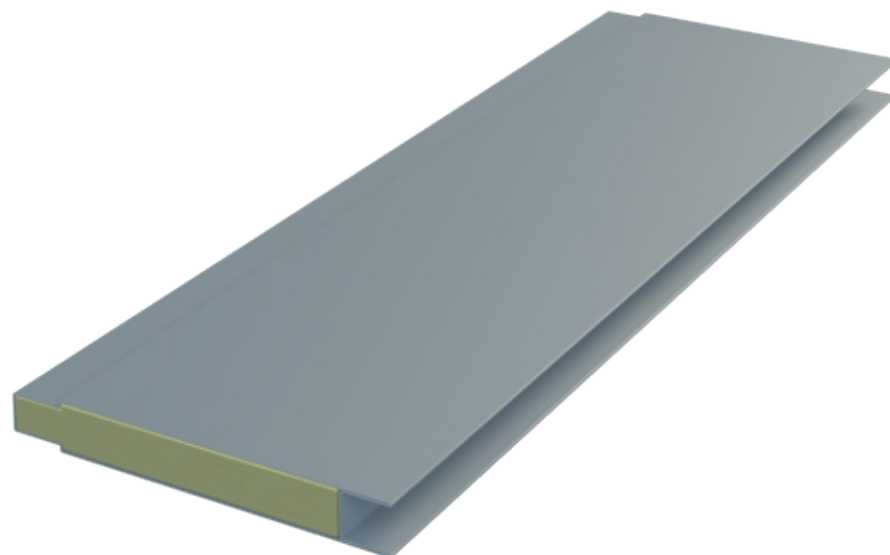
SELF-SUPPORTING PANEL	
MODEL	B13-500
DESCRIPTION	
Type	B13-503
Fire class	B0
Standard width	300 mm
Module length	up to 3000 mm
Thickness	39 mm
Weight	9,24 kg/m ²
Sound reduction	n/a
Insulation	110 kg/m ³
Visible surface	PVC or powder coated*, stainless steel
Application	Ceiling Metal, quick assembly/disassembly



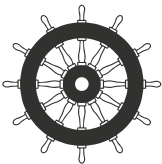
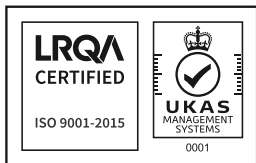
* According to RAL or NCS colors



INTEGRATED JOINT PANELS / SINGLE -SEAM JOINT	
MODEL	B13-400
DESCRIPTION	
Type	
Fire class	B15
Standard width	600 mm
Module length	up to 3000 mm
Thickness	50 mm
Weight	18,0 kg/m ²
Sound reduction	n/a
Insulation	130 kg/m ³
Visible surface	PVC or powder coated*, stainless steel
Application	Ceiling Metal, quick assembly/disassembly



* According to RAL or NCS colors



OFFICE:

ul. prof. W. Andruszkiewicza 5
80-601 Gdańsk

PRODUCTION

ul. Gdańska 37
83-200 Starogard Gdański

Poland

+48 587 316 720
info@sec-systems.pl



www.sec-systems.pl